

## 20W Constant Current

EIP020CXXXXLSD1L



### ■Approve



### ■Features

- Class II, SELV, independent
- Input Voltage 220-240VAC
- Protections: SCP/OLP/OVP/OTP
- Power Factor >0.9
- Efficiency ≥83%
- Support Leading edge(Triac) & trailing edge(ELV) dimmable
- 5 years warranty

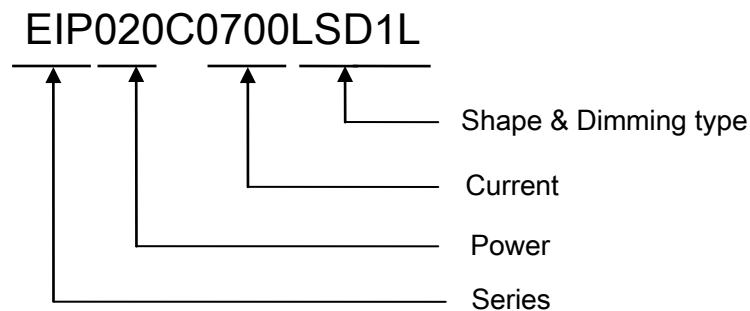
### ■Applications(Typ.)

- down light
- Pendant light

### ■Description

EIP020CXXXXLSD1L is a 20W constant current LED driver that operates from 198-264Vac input with 300mA to 1050mA output current. With it's compact dimensions from 140x 45 X 27.5mm it is easy to integrate in down light and pendant light products. To ensure trouble-free operation, protection is provided against output short circuit and over Load.

### ■Model code



## 20W Constant Current

EIP020CXXXXLSD1L

### ■ Specification

Input	Rated input voltage	220-240VAC				
	Range of input voltage	198-264VAC				
	Frequency(Hz)	50/60 Hz				
	Power Factor	> 0.9@Full Load,220-240VAC				
	Input Current max	0.16A MAX. @Full load, 198Vac				
	Start-up time	< 0.5S				
	Unload Power Consumption	≤1W				
	Inrush Current	10A Max.				
	THD	< 20%@Full Load, 240VAC				
	Leakage Current	< 0.7mA(240VAC)				
Output	Constant Current *Note 3	300mA	500mA	700mA	...	1050mA
	Unload voltage Max.	77VDC	50VDC	37VDC	...	28VDC
	Voltage Range(VDC)	40-67VDC	24-40VDC	17-29VDC	...	11.5-19.5VDC
	Rated power	20.1W Max.	20W Max.	20.3W Max.	...	20.5W Max.
	Current Accuracy	±5%@220-240VAC				
	Voltage Regulation	±5% @Full Load, 220-240VAC				
	Load Regulation	±5%@220-240VAC				
	Hold-up Time	1s max.@Full Load				
	Ripple& Noise *Note.2	≤±20%				
	Efficiency(Typ.)	≥83%@Full Load, 240VAC				
Dimming	Dimmable	Leading edge & trailing edge dimmable				
	Dimming mode	EU: BERKER 2873 ; JUNG 225 NV DE; GIRA(226200/I01) AU: CLIPSAL 32E450UDM/LM				
	Dimming current range	10% ~ 100% for leading edge & 13% ~ 100% for trailing edge				
Protection	Over Load Protection	105-120% Protection type: Auto Resume				
	Over Voltage Protection	> 77VDC	> 50VDC	> 37VDC	...	> 28VDC
	Short circuit Protection	Protection type: Auto Resume				
	Over temperature Protection	Protection type: Auto Resume				
Environment	Operating Temperature	-10°C...+50°C				
	tc	80°C				
	Storage Temperature	-20°C...+60°C				
	Life time	> 30,000h@ta=50°C				
	Humidity	20%-90%RH				
Others	Dimension	140X45X27.5(LXWXH)mm				
Safety & EMC	Safety standards	EN 61347-1; EN61347-2-13;				
	Withstand voltage	Input-Output : 3750V/5mA/1min				
	Isolation resistance	Input-Output : ≥4MΩ@500VDC				
	EMI	EN55015; EN61000-3-2 Class C; EN61000-3-3				
	EMS	EN 61547; EN 61000-4-2; EN 61000-4-5 —1000V;				
Note	1.All parameters NOT specially mentioned are measured at 240VAC input , full load and 25°C of ambient temperature. 2.Ripple & Noise are measured at 20MHz of bandwidth by using a 300mm twisted pair-wire terminated with a 0.1uF & 47 uF parallel capacitor. 3.Output current can be from 300mA to 1050mA and increasing in multiples of 50mA.Please see Model list below and contact EAGLERISE for details.					

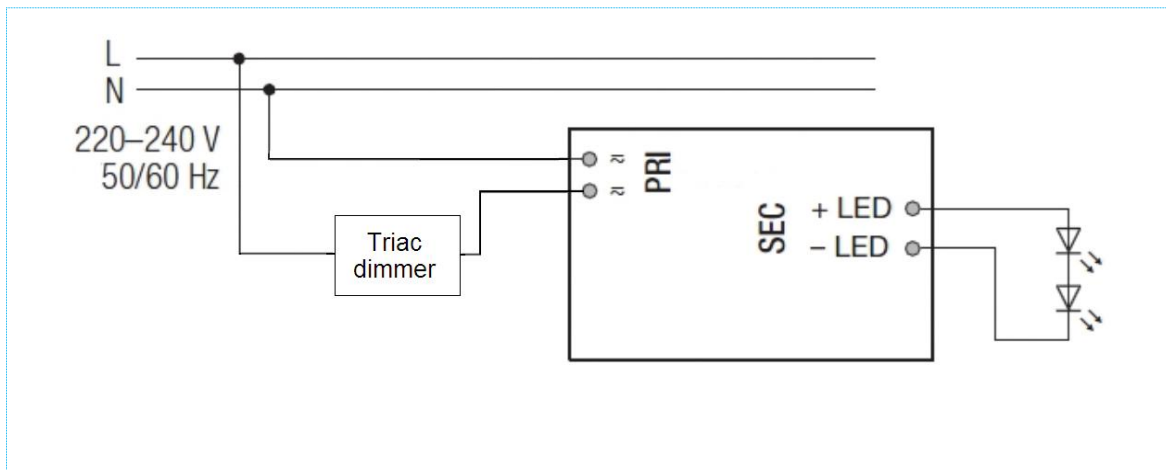
## 20W Constant Current

### EIP020CXXXXLSD1L

#### Model list

Model	INPUT	OUTPUT		
	V, A	Normal working voltage Vdc	No load Max. V dc	Constant Current (mA)
EIP020C0300LSD1L	220-240Vac, 50/60Hz, 0.16A	40-67	77	300
EIP020C0350LSD1L		34-57.5	68	350
EIP020C0400LSD1L		30-50	59	400
EIP020C0450LSD1L		26.5-44.5	54	450
EIP020C0500LSD1L		24-40	50	500
EIP020C0550LSD1L		21.5-36.5	46	550
EIP020C0600LSD1L		20-33.5	43	600
EIP020C0650LSD1L		18.5-31	39	650
EIP020C0700LSD1L		17-29	37	700
EIP020C0750LSD1L		16-27	35	750
EIP020C0800LSD1L		15-25	33	800
EIP020C0850LSD1L		14-24	32	850
EIP020C0900LSD1L		13.5-22.5	30	900
EIP020C0950LSD1L		12.5-21.5	29	950
EIP020C1000LSD1L		12-20	28	1000
EIP020C1050LSD1L		11.5-19.5	28	1050

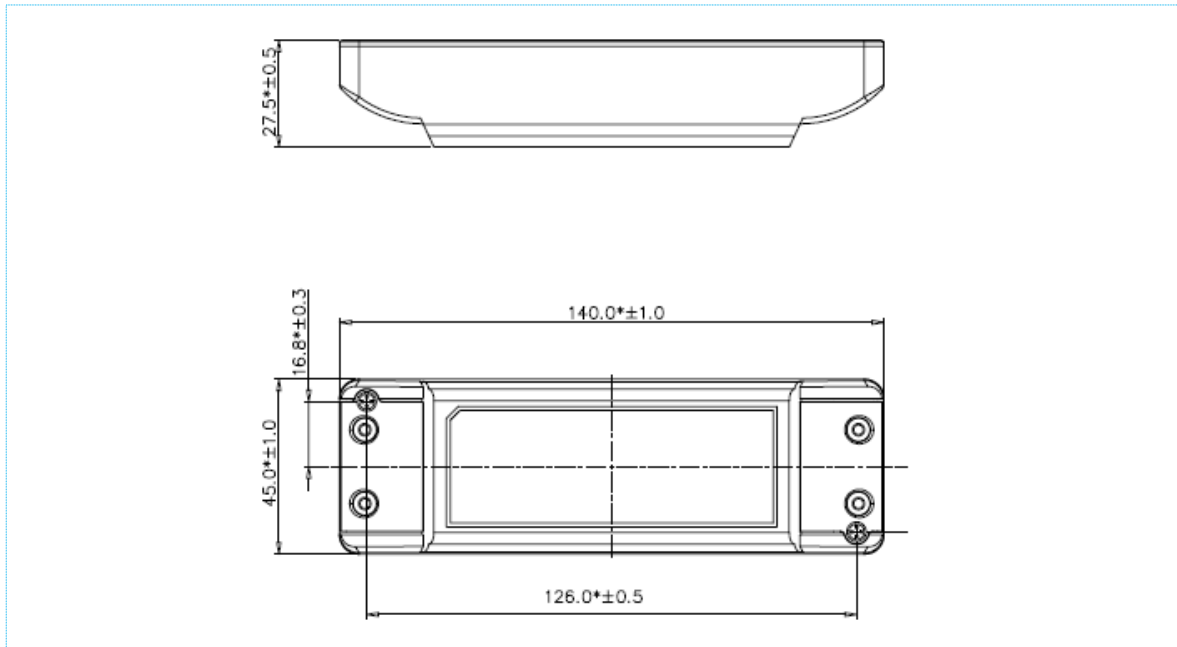
#### Wiring diagram



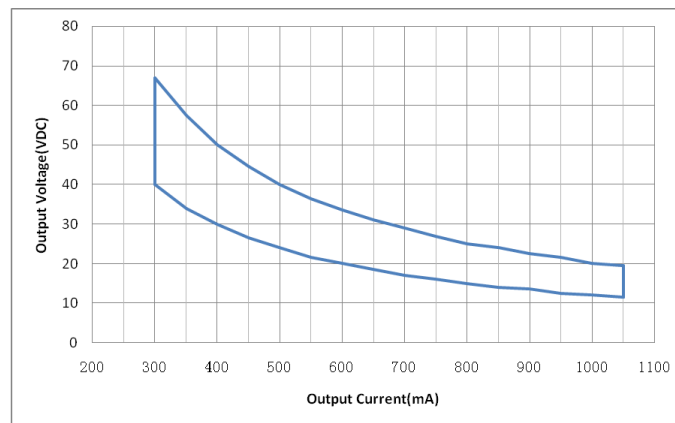
## 20W Constant Current

EIP020CXXXXLSD1L

### ■2D diagram



### ■Operating window



— Operating window 100%