

The power behind your lights



Model: JLV-12030KA Size: 180*33*23mm



Brief Information

Powermax™
Technology Inside

30W

Waterproof Power Supply (C.V.)

Model JLV-12030KA / JLV-24030KA

Input 100~250V AC

Output 12VDC 2.5A 30W / 24VDC 1.25A 30W

Product Features

- Compact size, easy for installation
- High transfer efficiency
- Wide input range
- Stable constant voltage output
- IP67, both indoor & outdoor use suitable
- 100% full loading, 100% burn-in tested
- Overload/short circuit protection

MAIN ELECTRICAL DATA

AC Input

Input Voltage	100~250V
Input Frequency	50/60Hz
Efficiency (Typ.)	80%
Input Current	230V: 0.26A max. 110V: 0.48A max.
Inrush Current	40A
Leakage Current	3mA/230VAC

DC Output

Output Voltage	12V	24V
Rated Current	2.5A	1.25A
Rated Power	30W	30W
Ripple & Noise (Max.)	<100mVp-p	<100mVp-p
Setup, Rise Time	1500ms/230VAC	1500ms/230VAC
Line Regulation	1%	1%
Load Regulation	1%	1%

Service Environment

Working Temp.	-30°C~50°C
Working Humidity	20~95%RH
Storage Temp.	-40°C~80°C
Storage Humidity	10~95%RH

Packaging Information

Product Dimension	180*33*23mm
Products Net Weight	250G
PCS/Carton(QTY)	50 PCS
Master Carton Size	39*22*26cm
G. Weight/ Carton	14KG

Protection

Overload	Yes, active when output >XA, Output Voltage drops if overloaded
Short Circuit	Yes, hiccup mode, recovers automatically after fault condition is removed

Safety

Safety Standard	EN 61347-2-13
Withstand Voltage	I/P-O/P: 3750VAC/1min/<5mA
Isolation Resistance	I/P-O/P: >100M Ohms / 500VDC /25°C / 70%RH

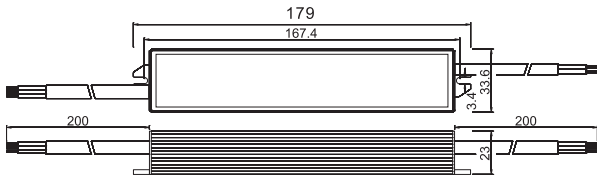
Installation Tips:

- Please identify the power supply's input and output before installation.
- Ensure correct output + & - wire connection.
Power on after wire connection is done.
- To avoid voltage drop and loading capacity wasting on the output extension wire, please install the power supply to the loading as near as possible, if must use long extension wires, thicker wires and less loading wattage is required.
- The power supply to be installed at good ventilation and cooling environment.

The power behind your lights

Physical Drawing

Unit: mm



Brief Information

Powermax™
Technology Inside

30W

Waterproof Power Supply (C.V.)

Model JLV-12030KA / JLV-24030KA

Input 100~250V AC

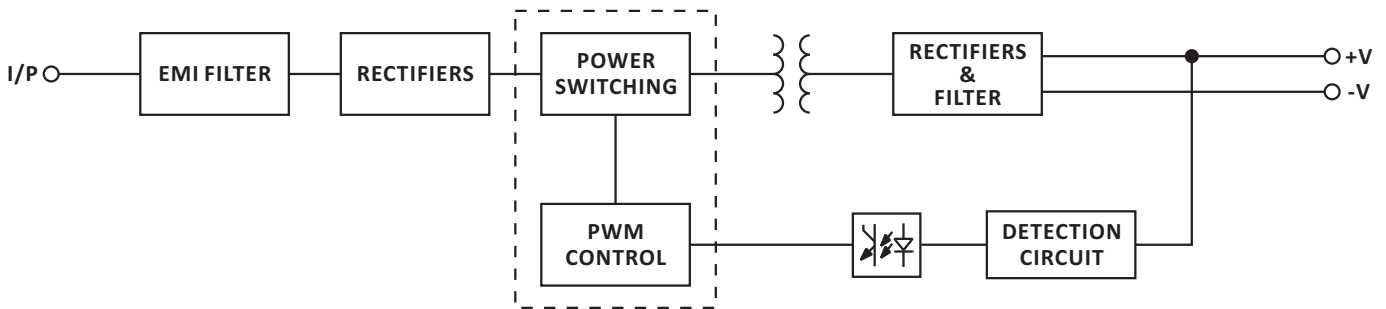
Output 12VDC 2.5A 30W / 24VDC 1.25A 30W

Input: 3x0.5mm² wire, Brown L, Blue N
200mm length

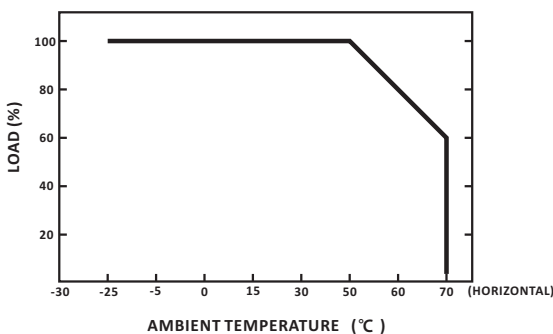
Output: 2x0.5mm² wire, Red +, Black -
200mm length

Housing: Aluminium

Block Diagram



Derating Curve



Static Characteristics

