

The power behind your lights



Model: JLV-12100KA-S Size: 215*52*35mm
JLV-24100KA-S



Brief Information

Powermax™
Technology Inside

100W

Waterproof Power Supply (C.V.)

Model JLV-12100KA-S

Input 170-250V AC

Output 12V DC 8.33A 100W / 24V DC 4.17A 100W

Product Features

- Compact size, easy for installation
- High transfer efficiency
- Stable constant voltage output
- IP67, both indoor & outdoor use suitable
- 100% full loading, 100% burn-in tested
- Overload/short circuit protection

MAIN ELECTRICAL DATA

AC Input

| | |
|-------------------|------------------|
| Input Voltage | 170-250V |
| Input Frequency | 50/60Hz |
| Efficiency (Typ.) | 86% |
| Input Current | 230V: 0.72A max. |
| Inrush Current | 40A |
| Leakage Current | 5mA/230VAC |

DC Output

| | | |
|-----------------------|---------------|---------------|
| Output Voltage | 12V | 24V |
| Rated Current | 8.33A | 4.17A |
| Rated Power | 100W | 100W |
| Ripple & Noise (Max.) | <100mVp-p | <100mVp-p |
| Setup, Rise Time | 1500ms/230VAC | 1500ms/230VAC |
| Line Regulation | 1% | 1% |
| Load Regulation | 1% | 1% |

Service Environment

| | |
|------------------|------------|
| Working Temp. | -30°C~50°C |
| Working Humidity | 20~95%RH |
| Storage Temp. | -40°C~80°C |
| Storage Humidity | 10~95%RH |

Packaging Information

| | |
|---------------------|-------------|
| Product Dimension | 215*52*35mm |
| Products Net Weight | 850G |
| PCS/Carton(QTY) | 20 PCS |
| Master Carton Size | 43*23*18cm |
| G. Weight/ Carton | 16KG |

Protection

| | |
|---------------|---|
| Overload | Yes, cut-off mode, output shuts down if 10-20% over-loaded |
| Short Circuit | Yes, hiccup mode, recovers automatically after fault condition is removed |

Safety

| | |
|----------------------|--|
| Safety Standard | EN 61347-2-13 |
| Withstand Voltage | I/P-O/P: 3000VAC/1min/<5mA |
| Isolation Resistance | I/P-O/P: >100M Ohms / 500VDC /25°C / 70%RH |

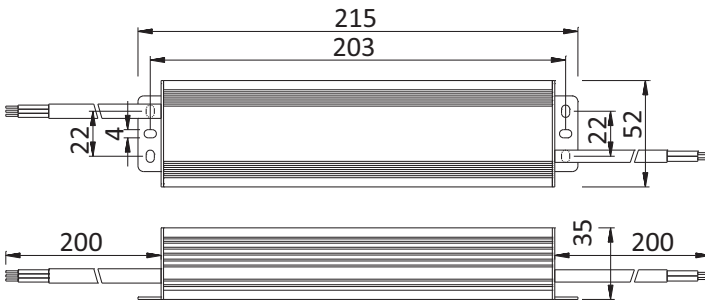
Installation Tips:

- Please identify the power supply's input and output before installation.
- Ensure correct output + & - wire connection. Power on after wire connection is done.
- To avoid voltage drop and loading capacity wasting on the output extension wire, please install the power supply to the loading as near as possible, if must use long extension wires, thicker wires and less loading wattage is required.
- The power supply to be installed at good ventilation and cooling environment.

The power behind your lights

Physical Drawing

Unit: mm



Brief Information

Powermax™
Technology Inside

100W

Waterproof Power Supply (C.V.)

Model JLV-12100KA-S

Input 170-250V AC

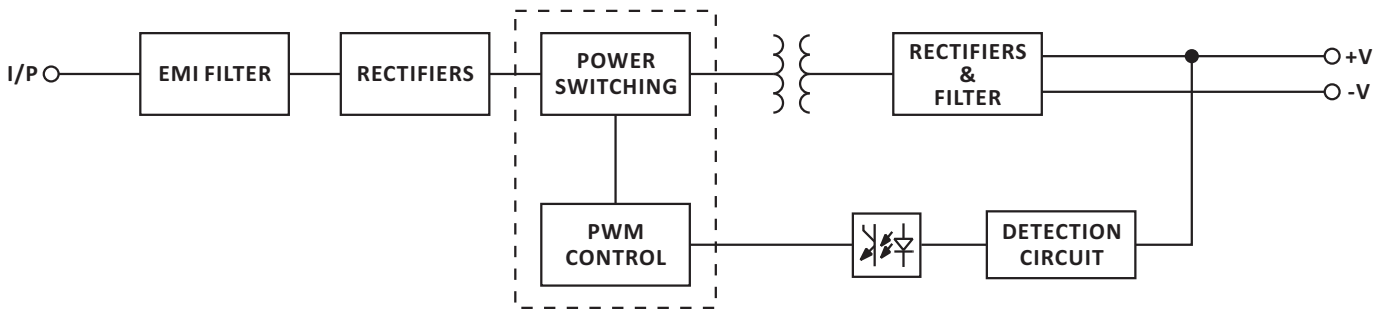
Output 12V DC 8.33A 100W / 24V DC 4.17A 100W

Input: 3x0.75mm² wire, Brown L, Blue N
200mm length

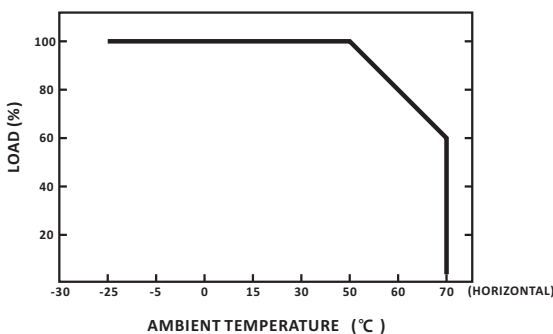
Output: 2x1mm² wire, Red +, Black -
200mm length

Housing: Aluminium

Block Diagram



Derating Curve



Static Characteristics

